

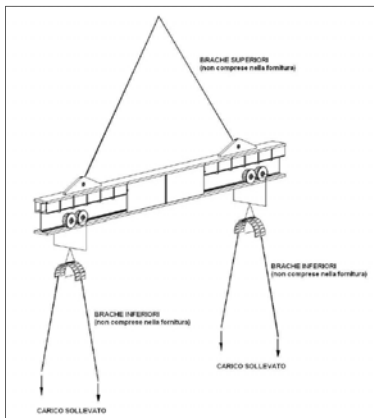
CATALOGUE SPECIAL DEVICE

LIFTING TOOLS



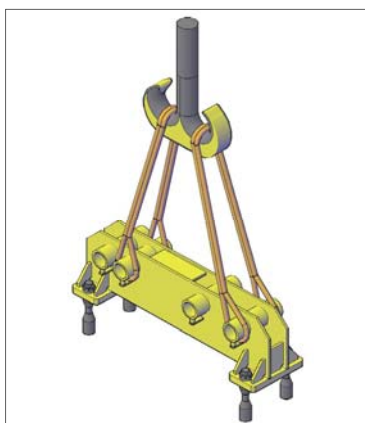
TAILOR MADE DESIGN FOR YOUR COMPETITIVE ADVANTAGE

BALANCING TOOL



Name	CRANKSHAFT LIFTER
CATEGORY	BALANCING TOOL
Lifting capacity (Kg)	50.000
Item to lift	CRANKSHAFT
Lifting or handling description	TWO ROPES AND TWO TROLLEY
Peculiarity	Self balancing of load and regulation during lifting
Advantage	FINE REGULATION TO LIFT MANY CRANKSHAFT WITH DIFFERENT LENGTH AND DIFFERENT POSITION OF C.o.g
Self weight (Kg)	7.000
Dimension	6600x2035x500
LIFTING APPLICATION/SCHEME	

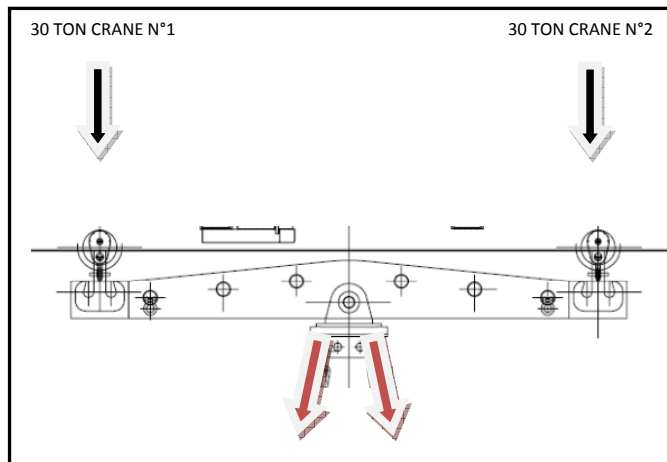
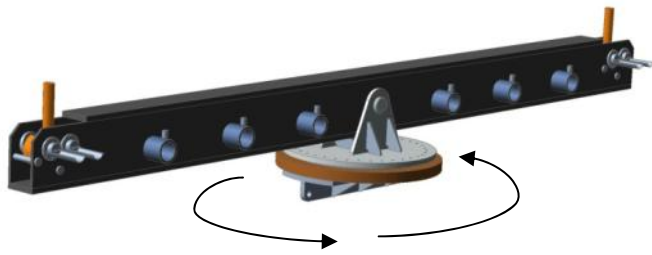
BALANCING TOOL



Name	
CATEGORY	BALANCING TOOL
Lifting capacity (Kg)	180.000
Item to lift	DIESEL ENGINE
Lifting or handling description	1 ITEMS PER ENGINE
Peculiarity	
Advantage	MANY HOOKS TO EASY LIFT VARIOUS ENGINE TYPES
Self weight (Kg)	2.000
Dimension	2000X750X800
LIFTING APPLICATION/SCHEME	



BALANCING TOOL



Name	MOTORIZED TURNTABLE LIFTER
CATEGORY	BALANCING TOOL
Lifting capacity (Kg)	60.000
Item to lift	PROPELLER SHAFT
Lifting or handling description	TWO ATTACHMENT POINTS AND CENTRAL LIFTING
Peculiarity	MOTORIZED TURNTABLE
Advantage	CARGO HANDLING IN EVERY POSITION WITH MULTIPLE LIFTING POINTS
Self weight (Kg)	2.300
Dimension	9000x600x450
LIFTING APPLICATION/SCHEME	

BALANCING TOOL



Name	SPACER
CATEGORY	BALANCING TOOL
Lifting capacity (Kg)	316.000
Item to lift	DIESEL ENGINE
Lifting or handling description	1 ITEMS PER ENGINE
Peculiarity	SPACING HOOKING POINTS
Advantage	LIGHT WEIGHT AND DURABLE
Self weight (Kg)	1.800
Dimension	2760X3150X400
LIFTING APPLICATION/SCHEME	

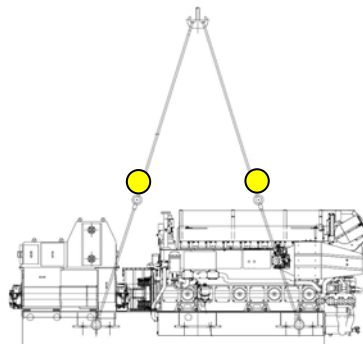
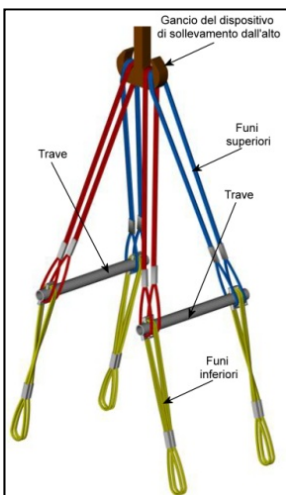


BALANCING TOOL



Name	SPACER
CATEGORY	BALANCING TOOL
Lifting capacity (Kg)	320.000
Item to lift	GENSET DIESEL ENGINE
Lifting or handling description	1 ITEMS PER ENGINE
Pecularity	SPACING HOOKING POINTS
Advantage	LIGHTWEIGHT AND DURABLE
Self weight (Kg)	2.300
Dimension	4500X2200X500
LIFTING APPLICATION/SCHEME	

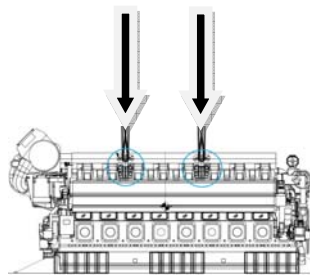
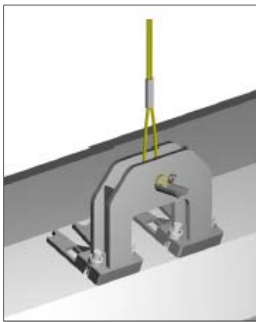
BALANCING TOOL



Name	GENSET SPACER
CATEGORY	BALANCING TOOL
Lifting capacity (Kg)	40.000
Item to lift	GENSET DIESEL ENGINE
Lifting or handling description	2 ITEMS PER ENGINE
Pecularity	SPACING HOOKING POINTS
Advantage	LIGHT WEIGHT AND DURABLE
Self weight (Kg)	200
Dimension	D200x2950
LIFTING APPLICATION/SCHEME	

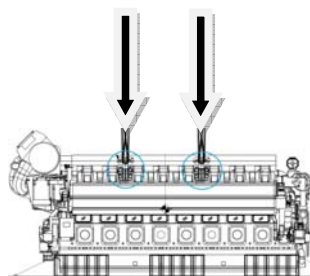
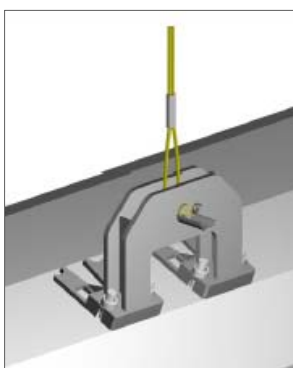


LIFTING APPENDIX



Name	SWL 77
CATEGORY	LIFTING APPENDIX
Lifting capacity (Kg)	77.000
Item to lift	COMPLETE DIESEL ENGINE
Lifting or handling description	4 ITEMS PER ENGINE
Pecularity	ADJUSTABLE BOLT AND NUTS
Advantage	PARTICULARE SHAPE FOR ADAPTATION TO THE SURFACE OF THE MOTOR
Self weight (Kg)	1.350
Dimension	1690x815x1120
LIFTING APPLICATION/SCHEME	

LIFTING APPENDIX



Name	SWL 75
CATEGORY	LIFTING APPENDIX
Lifting capacity (Kg)	75.000
Item to lift	COMPLETE DIESEL ENGINE
Lifting or handling description	4-6 ITEMS PER ENGINE
Pecularity	ADJUSTABLE BOLT AND NUTS
Advantage	PARTICULARE SHAPE FOR ADAPTATION TO THE SURFACE OF THE MOTOR
Self weight (Kg)	760
Dimension	860x890x700
LIFTING APPLICATION/SCHEME	

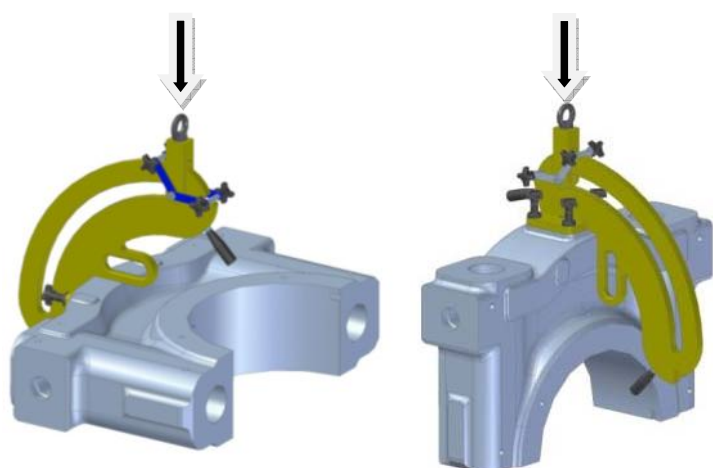


LIFTING & POSITIONING TOOL



Name	
CATEGORY	POSITIONING EQUIPMENT
Lifting capacity (Kg)	25.000
Item to lift	PROPELLER SHAFT
Lifting or handling description	ONE PER SHAFT
Peculiarity	HYDRAULIC MOVEMENT
Advantage	SAFETY HIGHT ADJUSTABLE
Self weight (Kg)	1.000
Dimension	500x500x1200

LIFTING & POSITIONING TOOL



Name	COMPASS
CATEGORY	POSITIONING TOOL
Lifting capacity (Kg)	4.000
Item to lift	MAIN BEARING CUP
Lifting or handling description	ONE BEARING
Peculiarity	LIFT AND ROTATION
Advantage	EASY MOVEMENT IN EACH DIRECTION WITH ONE OPERATOR
Self weight (Kg)	25
Dimension	500x20x400

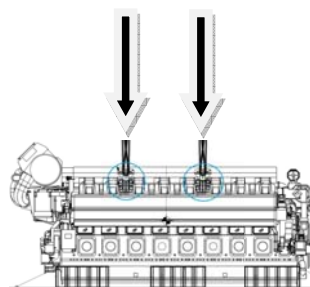
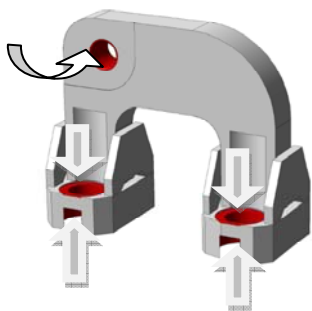
LIFTING APPENDIX



Name	PISTON LIFTER
CATEGORY	LIFTING APPENDIX
Lifting capacity (Kg)	350 ÷ 700
Item to lift	ENGINE PISTON
Lifting or handling description	ONE PISTON
Peculiarity	VERTICAL LIFTING
Advantage	FIRM BLOCK ON 3 POINTS OF ITEM TO LIFT
Self weight (Kg)	20
Dimension	445x496x145

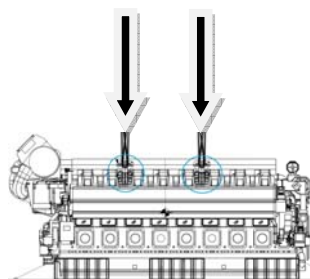
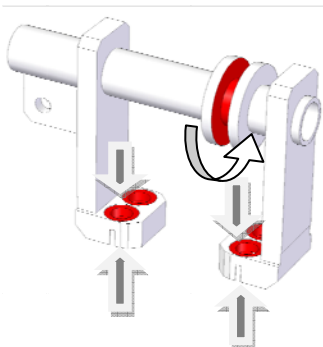


LIFTING APPENDIX



Name	383
CATEGORY	LIFTING APPENDIX
Lifting capacity (Kg)	13.500
Item to lift	COMPLETE DIESEL ENGINE
Lifting or handling description	4 ITEMS PER ENGINE
Peculiarity	ADJUSTABLE BOLT AND NUTS
Advantage	PARTICULARE SHAPE FOR ADAPTATION TO THE SURFACE OF THE MOTOR
Self weight (Kg)	60
Dimension	437x193x365
LIFTING APPLICATION/SCHEME	

LIFTING APPENDIX



Name	378
CATEGORY	LIFTING APPENDIX
Lifting capacity (Kg)	15.000
Item to lift	COMPLETE DIESEL ENGINE
Lifting or handling description	4 ITEMS PER ENGINE
Peculiarity	ADJUSTABLE BOLT AND NUTS
Advantage	PARTICULARE SHAPE FOR ADAPTATION TO THE SURFACE OF THE MOTOR
Self weight (Kg)	110
Dimension	735x200x495
LIFTING APPLICATION/SCHEME	



METECHSRL.IT